

Load Resistor Isolation Capacitor Shielded Enclosure

7637-4R500/120

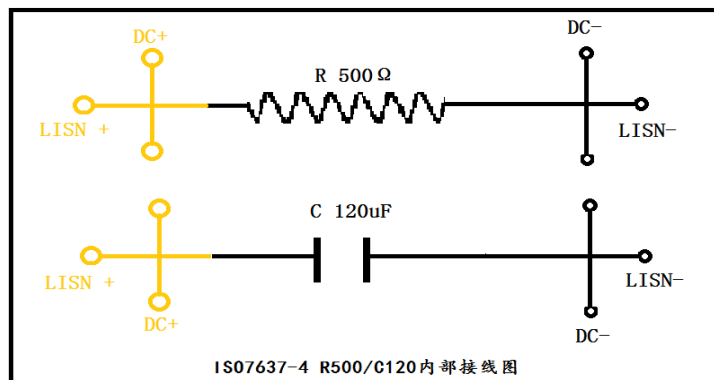
Datasheet



The 7637-4R500/120 is designed to meet the requirement of matched impedance and circuit capacitor of Waveform A, waveform B and waveform C specified in ISO 7637-4. The resistor or capacitor can be used independently or combined in parallel.

Technical Parameters	
Port of Front Panel	DC port, LISN port
Port of Rear Panel	Resistor, capacitor short circuit output
Shielded Effect	> 80 dB
Ambient Temperature	15 °C~35 °C
Relative Humidity	45% ~ 75%
Atmospheric Pressure	86 kPa ~ 106 kPa
Dimension	736 mm (L) ×345 mm (W) ×255 mm (H)
Weight	Approx. 17.6 kg
Material	Aluminum

Internal Schematic Diagram





SUZHOU 3CTEST ELECTRONIC CO., LTD.

Add.: No. 99 E'meishan Road, SND, Suzhou, Jiangsu Province, China

Tel: +86 (0)512 6807 7192 Fax: +86-512-68079795

Sales Email: globalsales@3ctest.cn Service Email: service@3ctest.cn

www.3c-test.com