

# Balanced High Frequency Line Impedance Stabilization Networks

## VHF-LISN BM3-16

### Datasheet



#### In Compliance With

> CISPR16-1-4 Ed.3.2

#### Introduction

CISPR16-1-4 Ed.3.2 defines clearly the design and performance of high frequency line impedance stabilization networks.

VHF-LISN BM3-16 networks are balanced and apply to single-phase (3 lines) mains line with its maximum current 16 A.

#### Features

- > 4mm Banana plug input/output, safe and stable
- > Power supply interface transducer is used to transduce 4 mm banana plug into standard mains plug compliance with different standards, such as Chinese standard, European standard and American standard etc.

#### Application Areas

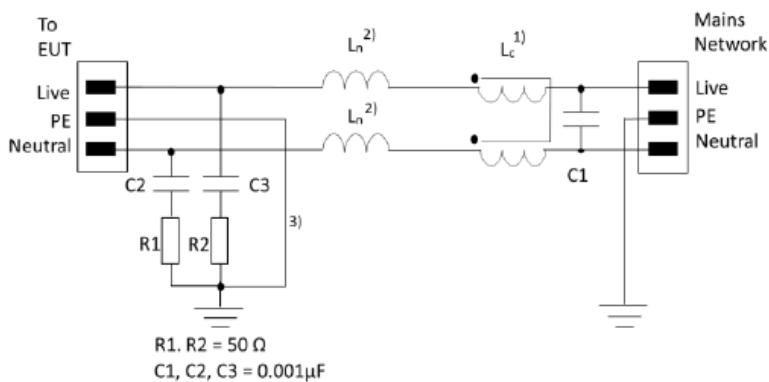
- > Communication
- > Low Voltage Electrical
- > Medical
- > Broadcast
- > New Energy Electric Power
- > Components
- > Military
- > Avionic
- > Railway

| Technical Parameters  |                      |
|---|----------------------|
| Item  | VHF-LISNBM3-16       |
| Standard  | CISPR16-1-4 Ed.3.2   |
| Frequency Range   | 30 MHz-300 MHz       |
| Max. AC Voltage (L-PE)  | 250 V                |
| Max. DC Voltage (L-PE)  | 400 V                |
| Max. Current  | 16 A                 |
| Type of EUT Port  | 4 mm Banana(L/N/PE)  |
| Type of AE Port   | 4 mm Banana(L/N/PE)  |
| <b>Input Impedance ( EUT End, L line-Reference Ground, N line-Reference Ground)</b> |                      |
| 30 MHz to 300 MHz   | $50 \Omega \pm 20\%$ |
| <b>Phase (EUT End, L line, N line)</b>  |                      |
| 30 MHz to 108 MHz   | $0 \pm 11.5^\circ$   |
| 108 MHz to 300 MHz  | $0 \pm 25.0^\circ$   |
| <b>Isolation(AE-EUT)</b>  |                      |
| 30 MHz to 300 MHz   | $>40 \text{ dB}$     |

| General Parameters     |                                    |
|------------------------|------------------------------------|
| Dimension              | 250 mm (L) x160 mm (W) x100 mm (H) |
| Weight                 | 4.0 kg                             |
| Ambient Temperature    | 15–35 °C                           |
| Relative Humidity      | 45%–75%                            |
| Atmosphere Press Range | 86 kPa–106 kPa                     |

| Accessories Supplied with Product   |
|---|
| Operating Manual, Factory Test Report, Test cables, Fuse and Quality Guarantee. |

Standard Schematic Diagram:





## **SUZHOU 3CTEST ELECTRONIC CO., LTD.**

Add.: No. 99 E'meishan Road, SND, Suzhou, Jiangsu Province, China

Tel: +86 (0)512 6807 7192      Fax: +86-512-68079795

Sales Email: [globalsales@3ctest.cn](mailto:globalsales@3ctest.cn)      Service Email: [service@3ctest.cn](mailto:service@3ctest.cn)

[www.3c-test.com](http://www.3c-test.com)