

Fast Square Wave Pulse Generator

TPS-CS115

Datasheet



In Compliance with

- > MIL-STD-461 E/F/G CS115
- > GJB 151A-97 CS115
- > GJB 151B-2013 CS115

Introduction

TPS-CS115 Fast Square Wave Pulse Generator is specially designed to meet MIL-STD-461E/F/G CS115, GJB 151A-97 CS115 and GJB 151B-2013 CS115. This generator can produce fast square wave pulse, used for all interconnection cables and power cables conduction susceptibility tests of aircrafts, space and surface system. This equipment is applicable for warships and subsystem tests if the purchaser requires.

Features

- > 5.7inch touch screen front panel operation;
- > Compliance with MIL-STD-461 E/F/G CS115, GJB 151A-97 CS115 and GJB 151B-2013 CS115;
- > Easy operation;

Application Areas



- > Military
- > Warships

Technical Parameters	
Max. test current	≥ 5 A (loop impedance 100 Ω)
Repetition frequency	1 Hz ~ 35 Hz
Rise time (10%-90%)	≤ 2 ns
Fall time (90%-10%)	≤ 2 ns
Pulse width (90%-90%)	≥ 30 ns
Output impedance	50 Ω
Output interface	N-K

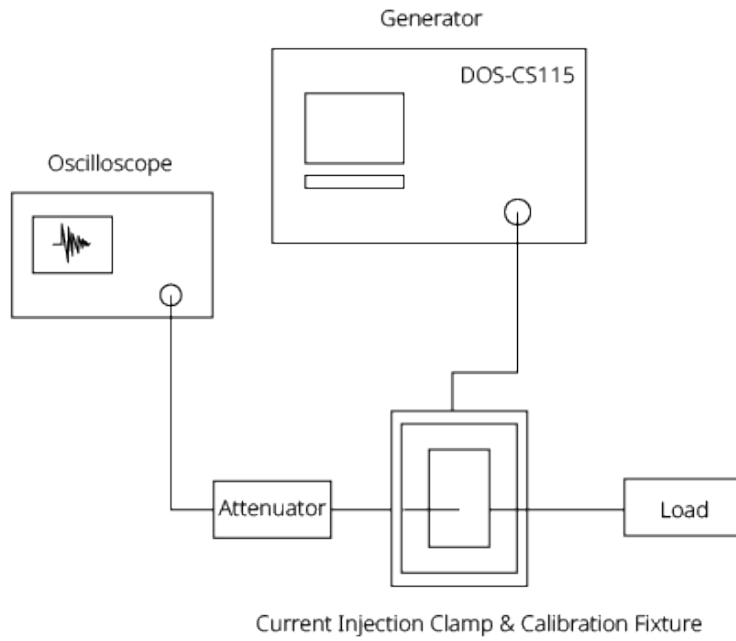
Accessories
Testing wires, Power cable, Grounding wire, User manual

Options	
1. High-Voltage Coaxial Load HCL 50N 	50 Ω 5 W DC-100 MHz
2. Attenuator TFB 100 	40 \pm 1.5 dB 5 W DC-400 MHz
3. Broadband Current Monitoring Clamp TWCM-200 	Frequency: 10 kHz ~ 200 MHz inner diameter: ϕ 40 mm
4. LISN J50 	Max. continuous current 50 A Impedance 50 μ H+5 Ω 50 Ω
5. LISN J200 	Max. continuous current 200 A Impedance 50 μ H+5 Ω 50 Ω

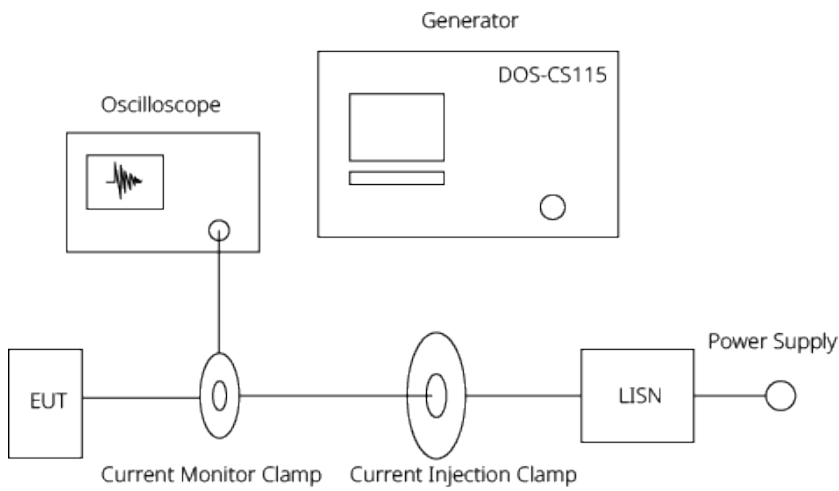
General Parameters	
Power supply	AC 110/220 V, $\pm 10\%$, 50-60 Hz (AC 220 V for China mainland)
Environment humidity	45%-75% RH (no condensing)
Relative temperature	15-35 $^{\circ}$ C
Size	19inch/4U
Weight	Approx. 18.5 Kg

Current Injection Clamp and Calibration Fixture (required)	
Current Injection Clamp BCIP-200 	Frequency: 10 kHz ~ 200 MHz Inner Diameter: ϕ 40mm
Calibration Clamp BCICF-200 	Frequency: 10 kHz ~ 200 MHz
Note: TPS-CS115 matches with BCIP-200 and BCICF-200 or products made by FCC only.	

1. Connection Illustration for Calibration



2. Connection Illustration for Test





SUZHOU 3CTEST ELECTRONIC CO., LTD.

Add.: No. 99 E'meishan Road, SND, Suzhou, Jiangsu Province, China

Tel: +86 (0)512 6807 7192 Fax: +86-512-68079795

Sales Email: globalsales@3ctest.cn Service Email: service@3ctest.cn

www.3c-test.com