

High Voltage Shielded Enclosure

HVSE 200

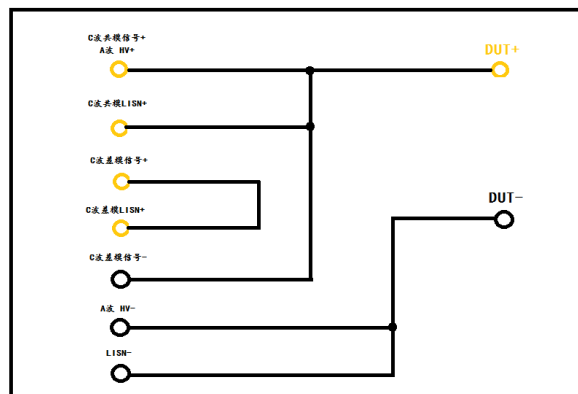
Datasheet



The HVSE 200 is applied to the common mode/differential mode testing switching of Waveform A and Waveform C specified in ISO 7637-4. Through plugging in corresponsive port, HVSE 200 can save users from complicated wiring. With features of easy operation and good shielded effect.

Technical Parameters	
Port on Front Panel	Waveform A and Waveform C common/differential mode testing port
Port on Rear Panel	DUT Output
Shielded Effect	> 80 dB
Ambient Temperature	15 °C~35 °C
Relative Humidity	45% ~ 75%
Atmospheric Pressure	86 kPa ~ 106 kPa
Dimension	380 mm (L) ×300 mm (W) ×165 mm (H)
Weight	Approx. 9.6 kg
Material	Aluminum

Internal Schematic Diagram





SUZHOU 3CTEST ELECTRONIC CO., LTD.

Add.: No. 99 E'meishan Road, SND, Suzhou, Jiangsu Province, China

Tel: +86 (0)512 6807 7192 Fax: +86-512-68079795

Sales Email: globalsales@3ctest.cn Service Email: service@3ctest.cn

www.3c-test.com