

Impulse Current Simulator

S10A series

Datasheet



In Compliance with

- > IEC 61643-11
- > GB/T 18802.11
- > IEC 61312-1

Introduction

The impulse current simulator S10A series is designed as per IEC 61643-11, GB/T 18802.11 and IEC 61312-1, which is capable of generating 10/350 μ s short-circuit current waveform with maximum voltage 10 kV and current 10 kA and features with easy-to-operate and highly reliability. Equipped with coupling/decoupling network and ten-way distribution networks SPN 10, up to ten EUTs can be tested under active or passive mode. Together with MAS 3000, the waveform data can be measured and analyzed professionally.

Features

- > 5.7" Color touch screen;
- > Max. test current 10 kA;
- > Equipped with MAS 3000, waveform measurement and analysis can be realized;
- > Ten-way distribution networks are available for customization;
- > Support customization for specific requirement;

Application Areas

- > Component

Technical Parameters-S10A250	
Test Current	0.25 kA ~ 2.5 kA, ±10%
Charging Voltage	1 kV ~ 10 kV
Current Waveform	Rise time (10% ~ 90%): 10 μs ±20% Duration (50% ~ 50%): 350 μs ±20%
Polarity	Positive/ negative/ alternative
Source Impedance	4 Ω
Repetition (time for single pulse)	5 s ~ 1000 s (The minimum time is subjected to test voltage)
Counter	1~10000
Phase Sync.	0° ~ 360° (45 Hz ~ 65 Hz)
Pulse Current Monitor	External, optional
Trigger Mode	Manual, Auto, External Trigger
Dimension	19" / 35U*2
Weight	Approx. 300 kg

Technical Parameters-S10A1000	
Test Current	1 kA ~ 10 kA, ±10%
Charging Voltage	1 kV ~ 10 kV
Current Waveform	Rise time (10% ~ 90%): 10 μs ±20% Duration (50% ~ 50%): 350 μs ±20%
Polarity	Positive/ negative/ alternative
Source Impedance	1 Ω
Repetition (time for single pulse)	5 s ~ 1000 s (The minimum time is subjected to test voltage)
Counter	1~10000
Phase Sync.	0° ~ 360° (45 Hz ~ 65 Hz)
Pulse Current Monitor	External, optional
Trigger Mode	Manual, Auto, External Trigger
Dimension	19" / 35U*4
Weight	Approx. 400 kg

Technical Parameters-S10A500	
Test Current	0.5 kA ~ 5 kA, ±10%
Charging Voltage	1 kV ~ 10 kV
Current Waveform	Rise time (10% ~ 90%): 10 μs ±20% Duration (50% ~ 50%): 350 μs ±20%
Polarity	Positive/ negative/ alternative
Source Impedance	2 Ω
Repetition (time for single pulse)	5 s ~ 1000 s (The minimum time is subjected to test voltage)
Counter	1~10000
Phase Sync.	0° ~ 360° (45 Hz ~ 65 Hz)
Pulse Current Monitor	External, optional
Trigger Mode	Manual, Auto, External Trigger
Dimension	19" / 35U*4
Weight	Approx. 400 kg

General Parameters	
Display Screen	5.7" TFT touch screen
Working Power	AC 110 V/220 V (±10%) , 50 Hz /60 Hz (220 V in mainland China)
Fuse	6 A
Max. Power	500 W
Communication Mode	Ethernet LAN、RJ45
External Control Mode	25-pin parallel port cable
External Trigger Input	BNC, 5 V TTL, the node is open, oscilloscope can trigger the product when internal circuit is closed.
Running Control Input	BNC, 5 V TTL
Failure Detection	The failure information will be displayed on LCD in front panel when failure occurs and interrupt the working of instrument.
Working Status Indication	LED indication and LCD display on front panel
Earthing Mode	Flat earth line
Monitor Output Mode	Standard 1 m coaxial cable
Ambient Temperature	15 °C ~ 35 °C
Relative Humidity	45% ~ 75%
Atmospheric Pressure	86 kPa ~ 106 kPa

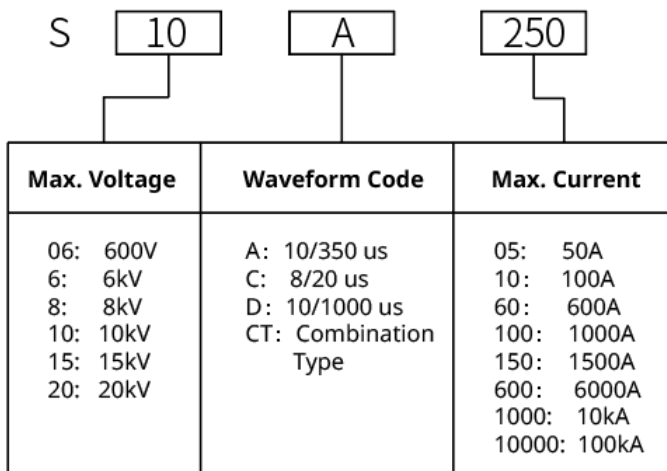
Accessories

User Manual, Test line, Ground line, 3-core power line, fuses (spare parts), Coaxial cable

Options

Ten-way distribution networks	SPN 10
Coupling/decoupling networks	CPN 4516S (customized for other load capacity)
Isolation transformer	DG-4.4 KVA
Wide-band Current Monitor	CM 0220M
Measurement	MAS 3000
Control Software	Corelab

Naming Rule



*Offer customized product according to customer's requirement.



SUZHOU 3CTEST ELECTRONIC CO., LTD.

Add.: No. 99 E'meishan Road, SND, Suzhou, Jiangsu Province, China

Tel: +86 (0)512 6807 7192 Fax: +86-512-68079795

Sales Email: globalsales@3ctest.cn Service Email: service@3ctest.cn

www.3c-test.com