

Impulse Current Simulator

S6D series



In compliance with

- > IEC 61643-11
- > GB/T 18802.11
- > IEC 61312-1

Introduction

The S6D series is a new type of impulse current simulator developed according to IEC 61643-11, GB/T 18802.11 and IEC 61312-1 standards. Can output 10/1000 μ s current wave, pulse voltage 6 kV, pulse current up to 1 kA. The device can be paired with a coupled decoupling network and a ten-channel cyclic distribution network SPN-10, so that up to 10 tested devices can simultaneously perform active or passive impulse current test requirements. The product is equipped with the company's measurement and analysis software for professional analysis of waveform data. The operation of the equipment is simple and fast, and the reliability is strong.

Features

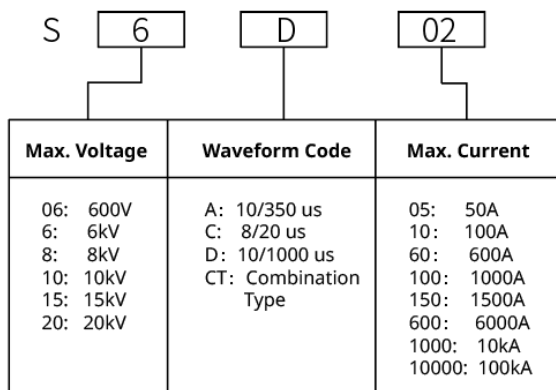
- > 5.7 Inch color touch screen;
- > Can cooperate with the company's measurement and analysis software to analyze the test waveform;
- > It can be equipped with a 10-way circulation distribution network;
- > Can be customized according to customer needs;

Application Areas

- > Components and parts

Technical Parameters			
Model	S6D05	S6D60	S6D100
Test Current	1 A ~ 50 A, $\pm 10\%$	10A ~ 600 A, $\pm 10\%$	50 A ~ 1000 A, $\pm 10\%$
Charging Voltage	Up to 3.5kV	Up to 6 kV	Up to 6 kV
Current Waveform	Rise time (10% ~ 90%) : 10 $\mu\text{s} \pm 20\%$		
	Duration (50% ~ 50%) : 1000 $\mu\text{s} \pm 20\%$		
Polarity	Positive/ Negative/ Alternative		
Source Impedance	50 Ω	10 Ω	6 Ω
Repetition (time for single pulse)	5 s ~ 99 s (The minimum time is subjected to test voltage)	5 s ~ 1000s (The minimum time is subjected to test voltage)	5 s ~ 1000s (The minimum time is subjected to test voltage)
Counter	1~ 10000		
Pulse Current Monitor	External, optional		
Trigger Mode	Manual, Auto, External Trigger		
Dimension	19 Inch /6U	19 Inch /22U	19 Inch /22U
Weight	Approx. 50 kg	Approx. 150 kg	Approx. 180 kg

Naming rule



* Can be customized according to customer needs;

Optional accessories

Ten-way distribution networks	SPN-10
Coupling/decoupling networks	CPN 4516S (customized for other load capacity)
Isolation transformer	DG-4.4 KVA
Wide-band Current Monitor	CM 0220M
Measurement	MAS 3000
Control Software	Corelab

Accessory

User Manual, Test line, Ground line, 3-core power line, fuses (spare parts), Coaxial cable

General Parameters	
Display Screen	5.7 Inch TFT touch screen
Working Power	AC 220 V ($\pm 10\%$), 50 Hz /60 Hz (220 V in mainland China)
Fuse	6 A
Max. Power	1000 W
Communication Mode	Ethernet LAN、RJ45
External Control Mode	25-pin parallel port cable
External Trigger Input	BNC, 5 V TTL, the node is open, oscilloscope can trigger the product when internal circuit is closed.
Running Control Input	BNC, 5 V TTL
Failure Detection	The failure information will be displayed on LCD in front panel when failure occurs and interrupt the working of instrument.
Working Status Indication	LED indication and LCD display on front panel
Earthing Mode	Flat earth line
Monitor Output Mode	Standard 1 m coaxial cable
Ambient Temperature	15 °C ~ 35 °C
Relative Humidity	45% ~ 75%
Atmospheric Pressure	86 kPa ~ 106 kPa



SUZHOU 3CTEST ELECTRONIC CO., LTD.

Add.: No. 99 E'meishan Road, SND, Suzhou, Jiangsu Province, China

Tel: +86 (0)512 6807 7192 Fax: +86-512-68079795

Sales Email: globalsales@3ctest.cn Service Email: service@3ctest.cn

www.3c-test.com

3ctest is always striving for product innovation and quality improvement.

Product appearance and technical specifications are subject to change without further notice.

© 3ctest