

Coupling/Decoupling Networks for Surge Testing on Unshielded Symmetrical High-Speed Communication Lines

CDN 405T8-C

Datasheet



In Compliance with

- > IEC 61000-4-5
- > EN 61000-4-5
- > GB/T 17626.5

Introduction

The CDN 405T8-C is designed to conduct surge test on unshielded symmetric high-speed communication lines for data transmission rate up to 1,000 MBit/s. It fully meets the requirement of IEC/EN 61000-4-5: 2017 (figure 11). High conductive magnetic material is used as decoupling component, which makes decoupling capacity and transmission rate stable.

Characteristics

- > High conductive magnetic material is used as decoupling component;
- > Capable of testing output to 4-path 8-line simultaneously;
- > Data transmission rate 10 MB / 100 MB / 1000 MB;
- > Capable of Superposing surge waveforms simultaneously;
- > Powerful surge resistance, standard withstand voltage up to 6 kV, 10 kV is customized;

Application Areas

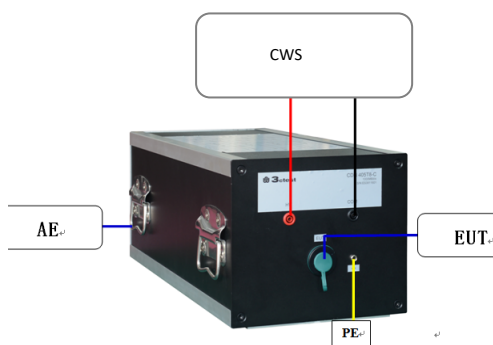
- | | |
|-----------------|----------------------|
| > Communication | > IT |
| > Telecom | > Military |
| > Medical | > Avionics |
| > Broadcast | > New energy |
| > Railway | > New energy vehicle |

Technical Parameters	
Model No.	CDN 405T8-C
Standard	IEC/EN 61000-4-5
Coupling Waveform	1.2/50 μ s、8/20 μ s
Impulse Voltage	6 kV (10 kV on request)
Coupling Mode	8 lines (4 pairs) unshielded symmetrical Common mode (L-PE)
Coupling Component	Capacitor
Output Impedance	Built-in resistance 160 Ω *4 8 lines equivalent resistance 40 Ω
Decoupling Inductance	20 mH
Residual Voltage	<2% (Coupling surge voltage)
Communication Port	Female RJ45 Connector, connecting Telecom cables
Pin Assignment	Pair 1: pins 1 / 2 Pair 2: pins 3 / 6 Pair 3: pins 4 / 5 Pair 4: pins 7 / 8
Data Transmission Rate	10MBit/s、100MBit/s、1,000MBit/s
Operating Voltage	Max. 100 V DC
Operating Current	Max. 1 A

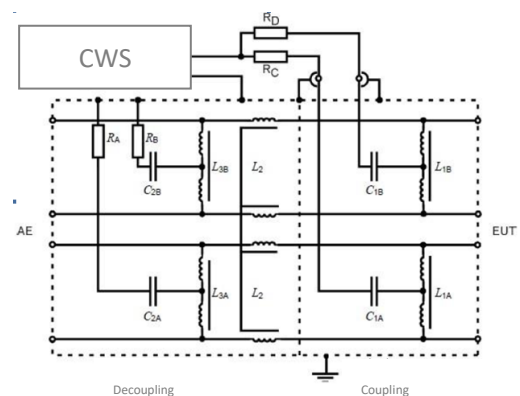
General Parameters	
Weight	Approx. 30 kg
Dimension	475 mm(L)×235 mm(W)×195 mm (H)
Enclosure Material	Aluminum
Ambient Temperature	15°C - 35°C
Relative Humidity	45% - 75%
Package Case	Suitcase

Standard Accessories		
HV Cables	1 m HV silicone line, equipped with banana plug	2 pcs
Grounded Cables	2m yellowish green	1 pc
Internet Cable	1m Class B Internet cables	2 pcs
Document	Factory Inspection Report	1 set
	Operating Instruction	1 set

Test Connection Illustration:



Test Connection Schematic Circuit:



As per IEC 61000-4-5: 2017 Figure 11



SUZHOU 3CTEST ELECTRONIC CO., LTD.

Add.: No. 99 E'meishan Road, SND, Suzhou, Jiangsu Province, China

Tel: +86 (0)512 6807 7192 Fax: +86-512-68079795

Sales Email: globalsales@3ctest.cn Service Email: service@3ctest.cn

www.3c-test.com