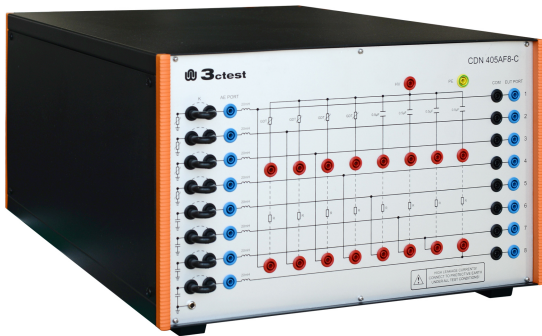


Surge Coupling/decoupling Networks for Unshielded Unsymmetrical Interconnection Lines CDN 405AF8-C

Datasheet



In Compliance with

- > IEC/EN 61000-4-5
- > GB/T 17626.5

Introduction

The CDN 405AF8-C is designed to conduct surge test on unshielded unsymmetrical interconnection lines as per figure 9 specified in IEC/EN 61000-4-5:2017 and applicable to surge combination waveform 1.2/50 μ s, 8/20 μ s with voltage up to 6 kV. It has four-line GDT coupling paths and four-line (0.5 μ F) capacitor coupling paths, the tests of line-to-line, line-to-ground and four-line-to-ground can be conducted. Its powerful decoupling capability keeps auxiliary equipment from the impact of surge so as to ensure the test repeatability.

Features

- > Line-to-line, line-to-ground and 4-line-to-ground tests can be conducted.
- > No additional protection for auxiliary equipment is Needed;
- > Through replacing current-limiting resistors, other surge waveform tests can be conducted;

Application Areas

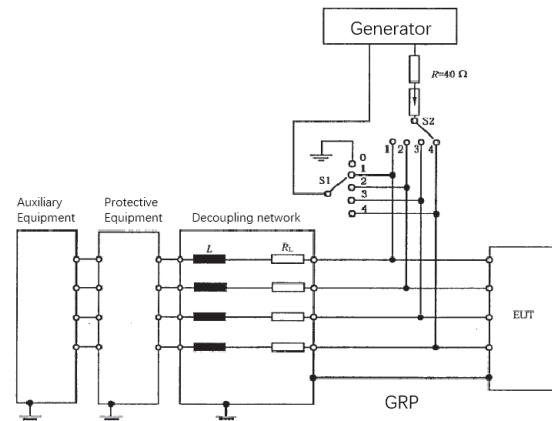
- > Communication > Information Technology
- > Telecom > Military
- > Medical > Aviation
- > Broadcast > New Energy Power
- > Railway

Technical Parameters	
Coupling Waveform	1.2/50 μ s、 8/20 μ s
Pulse Voltage	6 kV (10 kV is available on request)
Coupling Mode	Line-to-ground、 Line-to-Line or four-line-to-ground
Coupling Component	90 V GDT (built-in) 0.5 μ F capacitor (built-in)
Output Impedance	40 Ω \pm 5% (standard configuration)
Communication Port	4 mm banana plug
Working Voltage	Up to 6 V DC (GDT coupling) Up to 250 V AC/DC (Capacitor coupling)
Working Current	Up to 2 A
Decoupling Inductance	20 mH
Residual Voltage	< 10% (surge test voltage) ; capacitor coupling < 100 V (surge test voltage) ; GDT coupling
General Parameters	
Weight	17 kg
Dimension	6U
Ambient Temperature	15 $^{\circ}$ C ~ 35 $^{\circ}$ C (operating condition)
Relative Humidity	45% ~ 75% (operating condition)

Accessories
Test line, Impedance Module SZR0, Impedance Module SZR40, User Manual

Options	
SZR 80	80 Ω \pm 5% 7 kV
SZR 160	160 Ω \pm 5% 7kV

Schematic Diagram :



As per IEC 61000-4-5: 2017 Figure 9



SUZHOU 3CTEST ELECTRONIC CO., LTD.

Add.: No. 99 E'meishan Road, SND, Suzhou, Jiangsu Province, China

Tel: +86 (0)512 6807 7192 Fax: +86-512-68079795

Sales Email: globalsales@3ctest.cn Service Email: service@3ctest.cn

www.3c-test.com

3ctest is always striving for product innovation and quality improvement.

Product appearance and technical specifications are subject to change without further notice.

© 3ctest