



Coupling/Decoupling Networks for Immunity to Conducted, Differential Mode Disturbances

CDN 419M4N-32

■ IEC 61000-4-19

— Features

- > Conform to IEC 61000-4-19;
- > Applicable to differential mode test on 4-line;
- > Banana head terminal signal injection.

— Introduction

CDN 419M4N-32 is specifically designed to meet the requirements as per Standard IEC 61000 - 4 -19: 2014, which can be applied to three-phase (four-wire supply lines) mains supply systems, with its coupling voltages of testing for immunity to conducted, differential-mode disturbances up to 30 V.

— Application Areas



Technical Parameters

Standard	IEC 61000-4-19:2014
Coupling Frequency	2 kHz-150 kHz, CW wave
Coupling Voltage	30 V
Coupling Mode	Differential mode (line to line)
Coupling Device	12 μ F capacitor
Working Voltage	Maximum 400 V DC
Working Current	Maximum 32 A
AE/EUT Port Type	4 mm banana head
Signal Injection Port Type	4 mm banana head

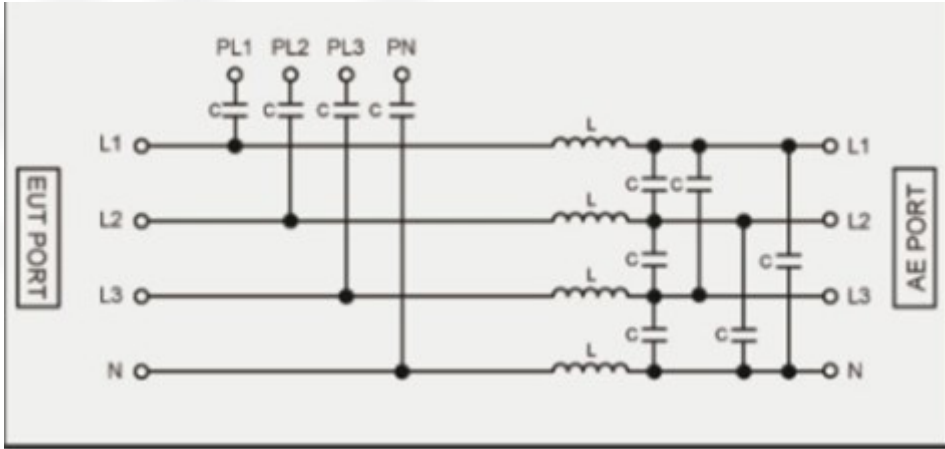
General Parameters

Weight	Approximately 10 kg
Size	360 mm x 220 mm x 135 mm (length x width x height)
Shell Material	Aluminum material
Ambient Temperature	15 ° C -35 ° C
Relative Humidity	45% -75%

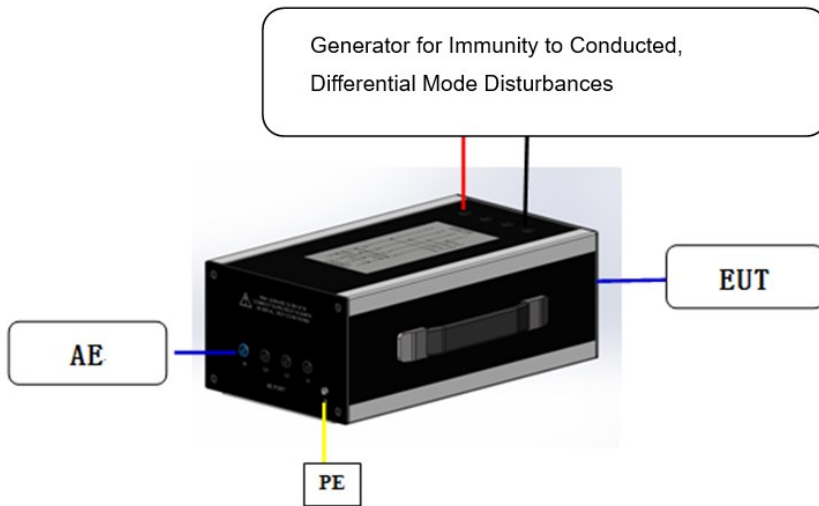
Standard Accessories

Test line

1. Standard Schematic Circuit



2. Test Connection Illustration



SUZHOU3CTEST ELECTRONIC CO., LTD

Address: No. 99 E'meishan Road, SND, Suzhou, Jiangsu Province, China
Sales Email: globalsales@3ctest.cn Service Email: service@3ctest.cn
Tel: + 86 - 512 - 68077192 Web: www.3c-test.com

