

CDN for Lightning Surge Immunity Tests on Data and Control Cable

CDN 405CAN

Datasheet



In Compliance with

- > IEC 61000-4-5
- > EN 61000-4-5
- > GB/T 17626.5

Introduction

The CDN 405CAN is used for surge tests on shielded unsymmetric CAN and LIN cable in accordance with IEC/EN 61000-4-5:2017. The surge voltage could up to 6 kV, its decoupling function could prevent the auxiliary equipment (AE) from the surge interference.

Features

- > Used for CAN cable of charging point and twisted cable type 485;
- > For waveform 1.2/50 μ s, 8/20 μ s;
- > Coupling mode CAN H +CAN L both to earth / LIN to earth
- > Transmission rate CAN cable 10Mbit/s, LIN cable 100 Kbit/s;
- > Max. working current 2 A;
- > AE/ EUT port: 4 mm banana plug;

Application Areas

- > Communication
- > Telecom
- > Medical
- > Broadcasting
- > Railway
- > IT
- > Military
- > Avionics
- > New energy power
- > New energy vehicle

Technical parameters	
Coupling Waveform	1.2/50 μ s, 8/20 μ s
Pulse Voltage	6 kV
Coupling Mode	CAN H+CAN L both to earth / LIN to earth
Coupling Device	GDT
Current limiting resistance	40 $\Omega \pm 5\%$
Communication Interface	4 mm banana plug
Transmission Rate	CAN: 10 Mbit/s LIN: 100 Kbit/s
Working Voltage	Max. 12V DC
Working Current	Max. 2 A
Decoupling Inductance	20 mH
Residual Voltage	<90V

General Parameters	
Weight	Approx. 10 kg
Dimension	360 mm(L) \times 220 mm(W) \times 135 mm(H)
Shell Material	Aluminum
Operating Temperature	15 $^{\circ}$ C - 35 $^{\circ}$ C
Operating Humidity	45% - 75%
Package	Carton

Standard Accessories
Test line, User manual, Short-connect plug

Design Schematic Diagram 1:

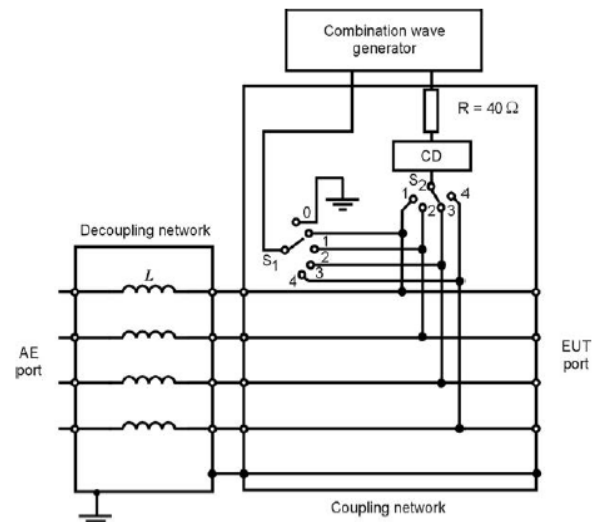


Figure 9 of IEC 61000-4-5: 2017

Design Schematic Diagram 2:

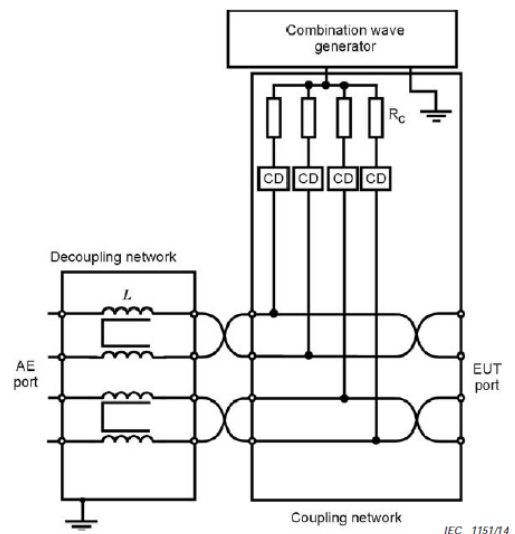


Figure 10 of IEC 61000-4-5: 2017



SUZHOU 3CTEST ELECTRONIC CO., LTD.

Add.: No. 99 E'meishan Road, SND, Suzhou, Jiangsu Province, China

Tel: +86 (0)512 6807 7192 Fax: +86-512-68079795

Sales Email: globalsales@3ctest.cn Service Email: service@3ctest.cn

www.3c-test.com